

KIT PART NUMBER
4320028- LED LIGHTING KIT W/ LOWER LIGHTED PANEL or
4320029 - LED LIGHTING KIT W/O LOWER LIGHTED PANEL

INSTRUCTIONS FOR INSTALLING LED LIGHTING
IN CMS
MODEL NV432, AP 962
115 volt or 230 volt

CHECK THE PARTS RECEIVED IN THIS KIT WITH THE PARTS LIST IN THESE INSTRUCTIONS. IF ANY PARTS ARE MISSING CONTACT THE CRANE MERCHANDISING SYSTEMS' PARTS DEPARTMENT AT 1-800-621-7278.

Read these instructions carefully before installing the kit.
Keep these instructions for part numbers and for future reference.

THIS KIT CONTAINS THE FOLLOWING:

PART NUMBER	DESCRIPTION	QTY
4322323	LAMP ASSY-POP-115V/23V-LED (KIT # 4320028 ONLY)	1
4322333	PWR SUPPLY ASM-LED- NO POP (KIT # 4320029 ONLY)	1
1811085	ASSY-48 LED -1200 MM	2
1672177	ASSY-MTG-CLIP-ADJ-LED	4
4042121	WIRE TIE - # PLT1M-M20	4
4329069	HARNESS-LED LIGHTING	1
4329070	HARNESS-PWR-LED FILTER	1
4320031	Instructions - Kit	1

!WARNING Electrical Shock Hazard – Turn machine off before installing this kit. Failure to do so could result in electrical shock or even death.

1. Read these instructions carefully before installing this kit.
2. Turn the machine OFF with the main switch. Failure to do so could result in an electrical shock.
3. Carefully remove the fluorescent tubes from the Lamp Sockets.
4. Remove the lamp sockets and harness from the door and disconnect from the ballast and lower light. Disconnect the harness 4329053 from the power panel and the ballast.
5. Remove the ballast from the door.
6. Looking at the left side of the door with it open, remove the left side lamp bracket. **DO NOT DISCARD THE SCREWS.**
7. Attach 2 - LED Mounting clips to the left side of the door with the screws saved in step 6 using the upper and lower hole locations.
8. On the right side of the door, Remove the plastic harness clips, and reinstall the screws. Attach the remaining 2- LED mounting clips using the upper and lower hole locations and screws.
9. Snap the LED tubes into the mounting clips with the electrical connectors facing the top of the door. Aim the LED tubes towards the middle of the door viewing area.

10. Using the harness # 4329069, attach the harness to the left LED first, route the harness across the door channel, and attach to the right LED connector.
11. Route the wire down the right side LED and push the remaining connectors into the large hole located in the lower part of the door.
12. On the front of the door, remove the lower panel stop bracket and slide the panel out.
13. Remove the lower fluorescent lamp assembly or flat metal panel if a light assembly is not present. **DO NOT DISCARD THE SCREWS.**
14. Attach the light assembly 4322323 (Kit # 4320028) or power supply assembly 4322333 (Kit # 4320029) to the door with the screws removed in step 13. Make sure assembly is installed with the filter facing the left side.
15. Take and attach the harness 4329070 to the filter with the green ground wire to the middle terminal and the remaining connectors to the outer terminals. (Orientation does not matter)
16. Feed the other end of the harness 4329070 through the grommet and attach to the power panel in the cabinet. Wire tie the harness to existing harnesses.
17. Route the harness 4329069 already attached to the door LED's into the grommet from the back side and connect to the LED power supply connector. Connect the lower LED (if supplied) to the harness 4329069. If the kit does not contain a lower LED, leave the remaining connector unplugged. Wire tie any loose wires and double check that all connections are secure.
18. Slide lower panel back in and reinstall lower panel stop bracket.
19. Plug in machine and turn unit on. Adjust light tubes as needed.

INDEX	PART NUMBER	DESCRIPTION	QTY.
1	1811085	ASSY – 48LED- 1200MM	2
2	1672177	ASSY – SPRING MOUNT CLIPS	4
3	4329069	HARNESS – LED – LIGHTING	1
4	4322264	ASSY – BRACKET , LAMP (EXISTING IN MACHINE)	1
5	4322258	PANEL – TRIM – LAMP – BLACK (EXISTING IN MACHINE)	1
6	4322323	LAMP ASSY – POP – 115V /230V –LED (INCLUDES ITEMS 7-19)	
7	4322187	PANEL, LAMP – POP 115V	1
8	1672174	ASSY – 24 LED 500MM (4320028 KIT ONLY)	1
9	1672173	CLIP – SPRING STEEL – LED (4320028 KIT ONLY)	2
10	AP13100065	HEX STANDOFF M/F THD 4-40X 1.25 (4320028 KIT ONLY)	2
11	1217159	4-40 KEPS W/EXT L/WAS H ZP (4320028 KIT ONLY)	2
12	1212140	SCREW #4-40X1/4 RHS (4320028 KIT ONLY)	2
13	9985050	SMPS –LINE TO 24VDC – NO CORD	1
14	9985062	HARNESS – SMPS POWER ADAPTER	1
15	9900201	SCREW #8-32X5/16 RHS SEMS MACH	2
16	9331026	PLATE – MTG – LED POWER SUPPLY	1
17	4731070	SCREW #10-32 X 1.75 PHS	2
18	9900164	NUT #10-32 KEPS ZINC PLATE	2
19	AP380303	FILTER – LIGHT	1
NS	4329070	HARNESS – POWER - LED FILTER (NOT SHOWN)	1

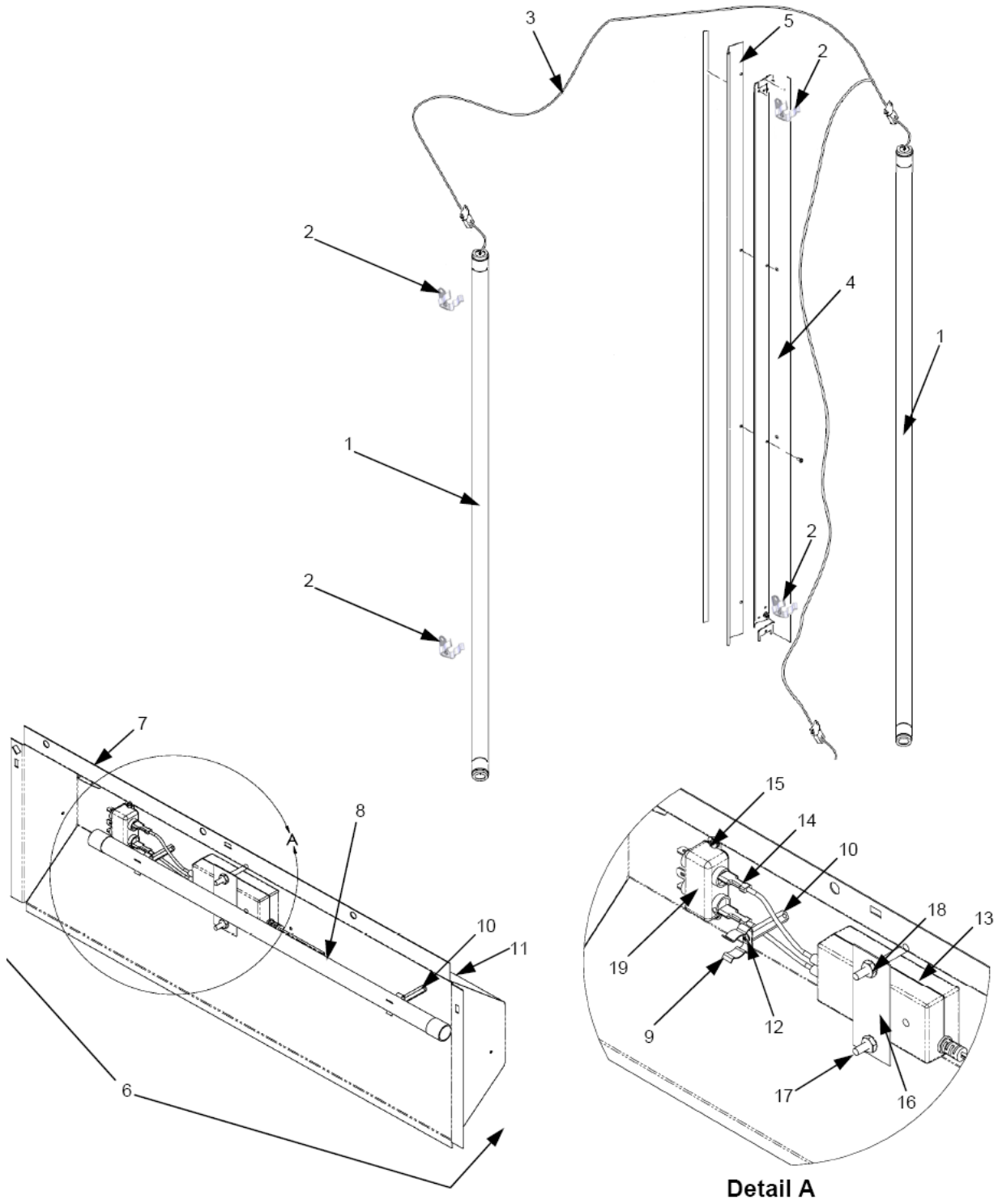


FIGURE: LED LIGHTING ASSEMBLY